

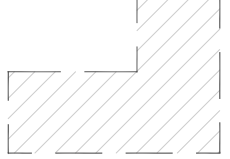
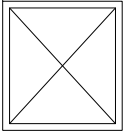





**LEGEND**

-  9' X 13' PLATFORM
-  EX. A.C. UNIT
-  ROOF REPAIR LIMITS
-  SKYLIGHT
-  T.S.G. TAPERED STEEL GIRDER
-  PROP. 6" X 12" D.F.#1 BEAM (TYPICAL)
-  BUILDING

Drawing Name: S:\Departments\Public Works\Engineering\Shared\DRAWINGS\Cityhall Roofing\Cityhall Roofing.dwg  
 Last Opened: Feb 10, 2026 - 4:43pm by spithwa